



# Log Jaw™

## Take a Big Bite Out of Big Wood

Improve Chipper/Grinder Performance and Lifespan





[fecon.com](http://fecon.com)  
[sales@fecon.com](mailto:sales@fecon.com)  
 +1 513 696 4430  
 800.528.3113

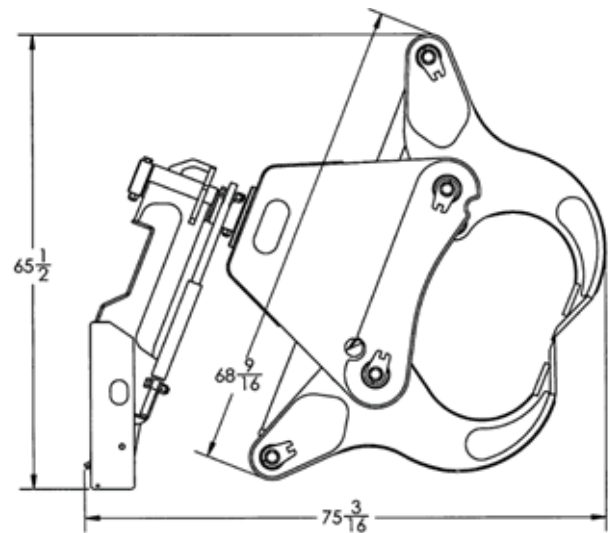
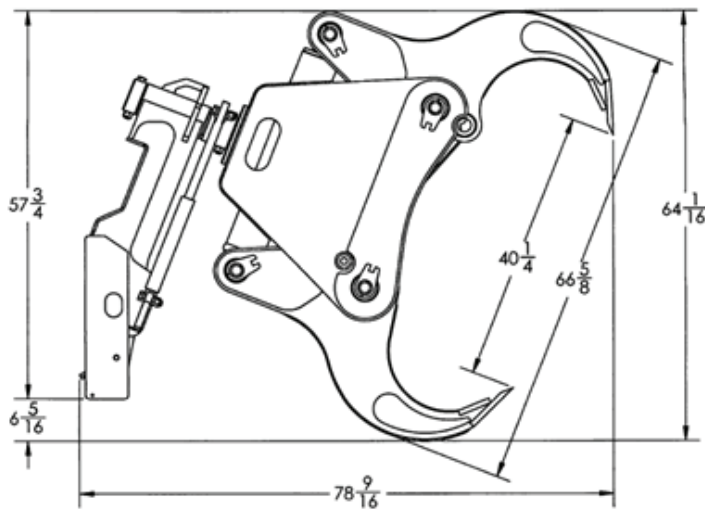
### Technical Specifications

<b>Height (tips to mount)</b>	51.25" / 1302 mm
<b>Weight (with mount)</b>	1756 lbs / 797 kg
<b>Jaw Opening (tip to tip)</b>	40.25" / 1022 mm
<b>Hydraulic Cylinder</b>	5" x 24" w/ 3" Rod 127 mm x 610 mm w/ 76 mm Rod
<b>Rotator</b>	90° Rotation

## Log Jaw Wood Splitter

Downsize wood waste with Fecon's Log Jaw™ Wood Splitter attachment for skid steers and 8+ ton excavators.

The Log Jaw will rip apart long, large diameter logs and stumps into manageable pieces for chipping, grinding and firewood processing.



- Operator's cab must be protected with both properly maintained 1/2" LEXAN® Glass (or equal) and Falling Object Protection.
- Always ensure that your carrier manufacturers safety features (including Falling Object Protection, and Roll-Over Protection) meet your job safety requirements.
- Certain guarding and features may have been removed for illustrative purposes, always run with proper guarding.
- Weights may vary based on options.
- Safety Is The Responsibility Of The Operator.
- Specifications subject to change without notice.
- Photographs may have been altered for marketing purposes.



GS-30F-0019S